

PIMAG® WATERFALL™ GRAVITY WATER SYSTEM

QUICK REFERENCE SHEET



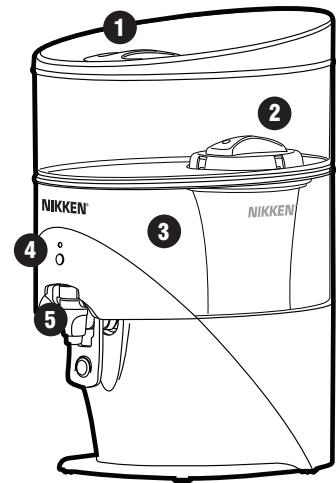
- *Simple operation, advanced technology*
- *Exclusive to Nikken — design and utility patents pending*
- *Filtration certified to reduce contaminants*
- *Minerals help regulate acid/alkaline (pH) balance to reduce acidity*
- *Proprietary media process decreases oxidation-reduction potential*
- *Modern, compact profile*
- *Filter life LED indicator*



C

PiMag Waterfall operation

- 1 Fill (upper) tank
- 2 Filter cartridge
- 3 Lower tank
- 4 Filter monitor and LED display
- 5 Magnetic field



PIMAG WATERFALL FEATURES/BENEFITS:

- **Advanced filtration technology** Certified to reduce harmful contaminants, for cleaner, better water.
- **Pi technology** Adds natural minerals, adjusts pH for acid/alkaline balance and ionizes to help protect against oxidation.
- **Magnetic technology** A circular magnetic field acts to reduce sediment clumping.
- **Compact design** Can be set up on a counter or practically anywhere.
- **Gravity flow operation** Requires no electricity or plumbing.
- **Economical** A more practical and cost-effective alternative to bottled water or water ionizers.
- **Environmentally responsible** Made from recyclable, non-leaching materials, reduces consumption of water bottles.

PIMAG® WATERFALL™ GRAVITY WATER SYSTEM

QUICK REFERENCE SHEET

THE FACTS

- Enhanced filtration technology in the PiMag Waterfall is certified by The United States Water Quality Association to meet standards of performance in reducing certain water contaminants. The PiMag Waterfall uses the natural principle of gravity, and at a fraction of the price of other filtration products.
- A regulated acid/alkaline (pH) balance is essential for maintaining health, but a typical modern diet and lifestyle can lead to excess acidity. Ordinary water from a household tap, well or bottle is also often acidic. The PiMag Waterfall is designed to produce water with added minerals, in a pH range of 8.5-9.5.
- Ionized water decreases oxidation-reduction potential. A high ORP contributes to unwanted oxidative decomposition. Ionized PiMag water from the Waterfall can help offset the oxidizing effect of many elements of the modern diet and environment. This can actually help slow down cellular destruction.
- PiMag Water Technology is ideal for a variety of uses — water for drinking, cooking — almost any application. Because it is so much more affordable than commercially bottled water, you can enjoy high-quality, filtered PiMag water in everything.
- PiMag water is an exceptional source of what your body needs. It can help restore the balance of fluids that plants, animals — and human beings — are composed of internally.
- The PiMag Waterfall is more practical than drinking bottled water. A supply of full water bottles is inconvenient. With the PiMag Waterfall, you just add water and produce PiMag water on the spot.
- Commercially bottled water is not only expensive, the quality or level of contamination can vary depending on where or when it was bottled. The PiMag Waterfall provides consistent quality.
- The PiMag Waterfall is environmentally responsible in several ways. It reduces the number of discarded, disposable water bottles that become trash in landfills. This also decreases consumption of fossil fuels used in manufacturing those bottles. PiMag products are made with recyclable and biodegradable materials, including a polymer that does not leach chemicals into water as some plastics will.



C

FILTER SPECIFICATIONS

NSF Standard 42

Reduction of chlorine, chloramine, taste and odor

NSF Standard 53

Reduction of mercury, VOCs

PRODUCT INFORMATION

ITEM CODE	DESCRIPTION
#1384	PiMag Waterfall gravity water system
#13845	PiMag Waterfall replacement filter
#13846	PiMag Waterfall replacement mineral stones
AVAILABILITY	
US: YES	CN: YES
FEATURED NIKKEN TECHNOLOGY	
PiMag Water Technology, gravity flow, multiple filtration	
WEIGHT	
6.6 lb/3 kg	
CAPACITY	
Fill tank: 1.32 gallons/5 liters; supply tank: 1.85 gallons/7 liters (without stones)	
MATERIALS IN PRODUCT	
Pi material, mineral stones, recyclable polymer, ring magnet (1,200 gauss)	
HOW TO USE	
Fill top tank with water. Filtered PiMag water collects in the lower supply tank.	
FILTER REPLACEMENT	
Filter cartridge: 90 days or 1,000 liters, whichever comes first	
WARRANTY INFORMATION	
One-year limited warranty	

QUICK SHARING TIPS

Offer a drink of water from the PiMag Waterfall gravity water system. PiMag water tastes delicious.

Because the PiMag Waterfall works without electricity or plumbing, it can be used in any location.

Some products on the market using similar filtration technology claim to be equivalent to the PiMag Waterfall. These do not perform at a comparable level and fail to meet accepted filtration test standards.

The contaminants or other substances removed or reduced by this water treatment device are not necessarily in your water. Do not use with water that is microbiologically unsafe or of unknown quality without adequate disinfection before or after use in this product.

CAUTION: Use with cold water only. This product contains silver used to inhibit the growth of bacteria in the filter to prolong the life of the filter. Silver has a low toxicity to humans but is highly toxic to fish and other aquatic life. This product is designed to reduce objectionable tastes, odors, colors, aesthetic chlorine, chloramines, VOCs and mercury from municipally treated tap water.